

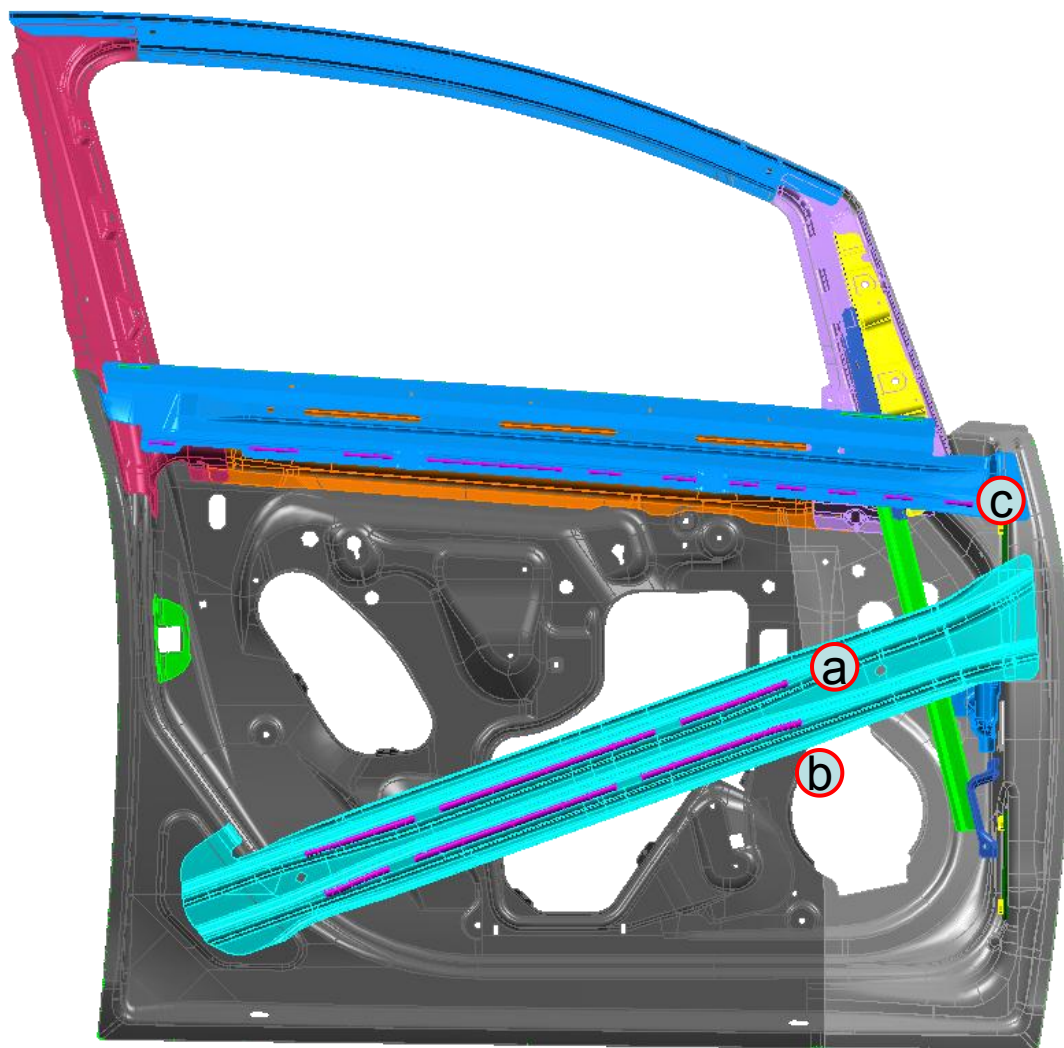


D06/D16 Door Sealer 2008-12-17

Delta Buick车身目前共5种胶水:


- 1 . 9984272 焊接胶水
- 2 . 9982259 折边胶水
- 3 . 9984273 车顶横梁膨胀胶
- 4 . 9985996 前后盖膨胀胶
- 5 . 9982285 车身结构胶

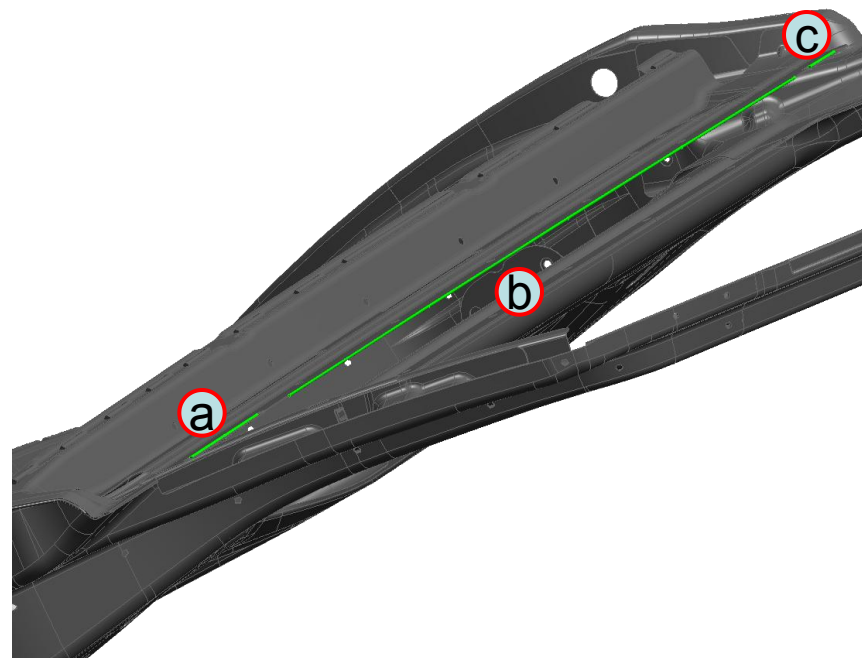
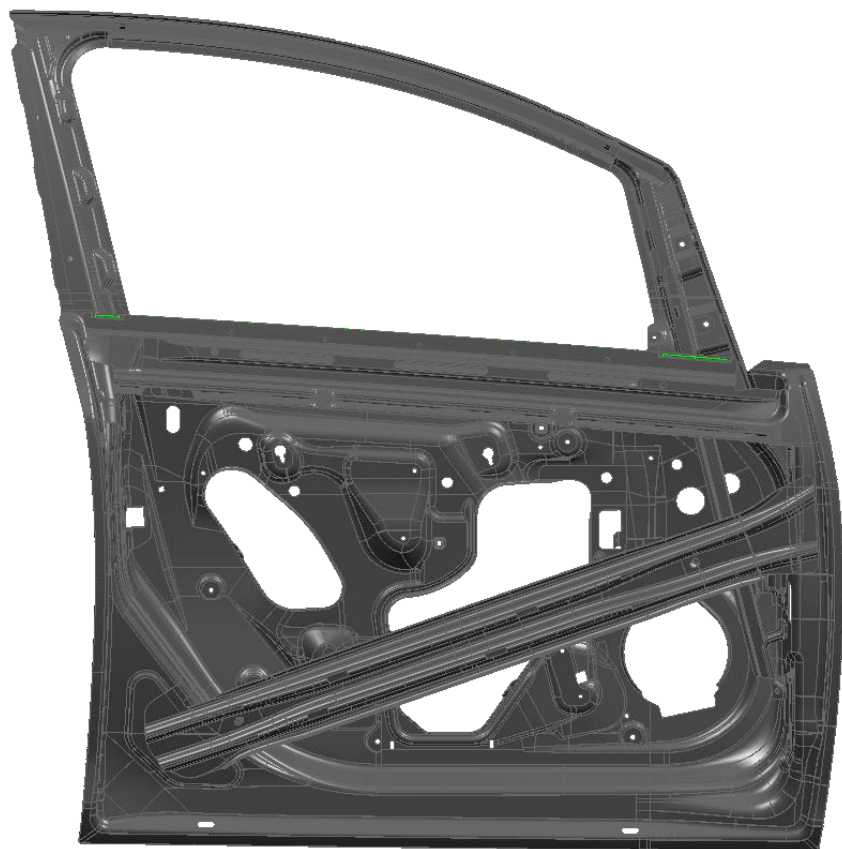
工程师Eng	工程师Eng	工程师Eng	工程师Eng



 **(a)** 減震膠
Diameter:8mm
Length:494mm

 **(b)** 減震膠
Diameter:8mm
Length:489mm

 **(c)** 減震膠
Diameter:6mm
Length:498mm



折边胶

a

Diameter:3mm

Length:88mm

REINF-FRT S/D OTR
PNL BELT外侧

折边胶

b

Diameter:2mm

Length:689mm

REINF-FRT S/D OTR
PNL BELT内侧

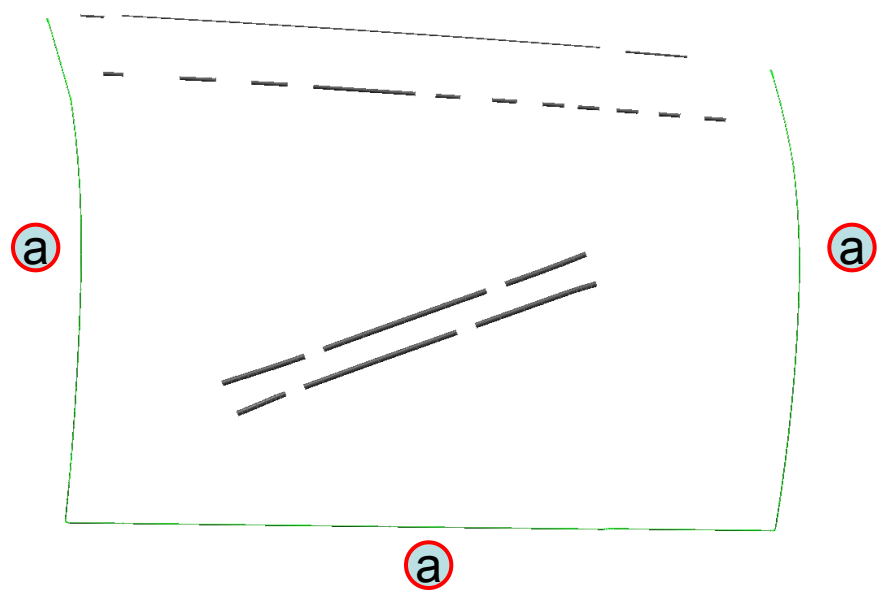
折边胶

c

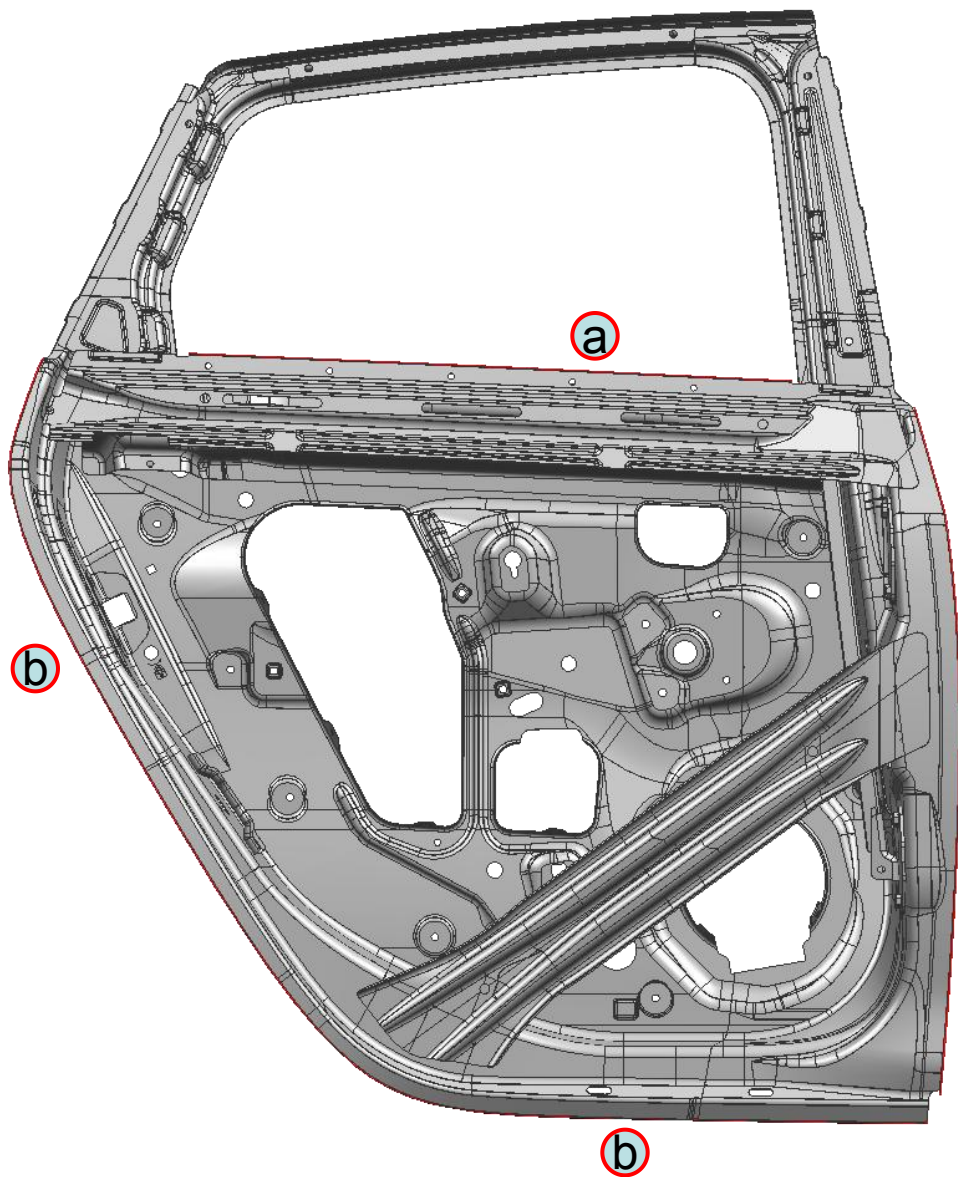
Diameter:3mm

Length:33mm

REINF-FRT S/D OTR
PNL BELT外侧

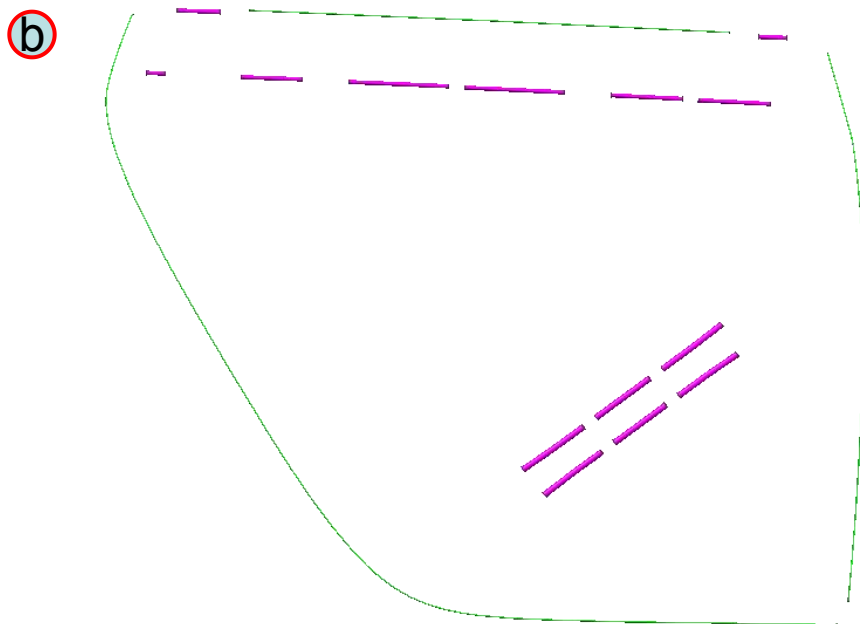


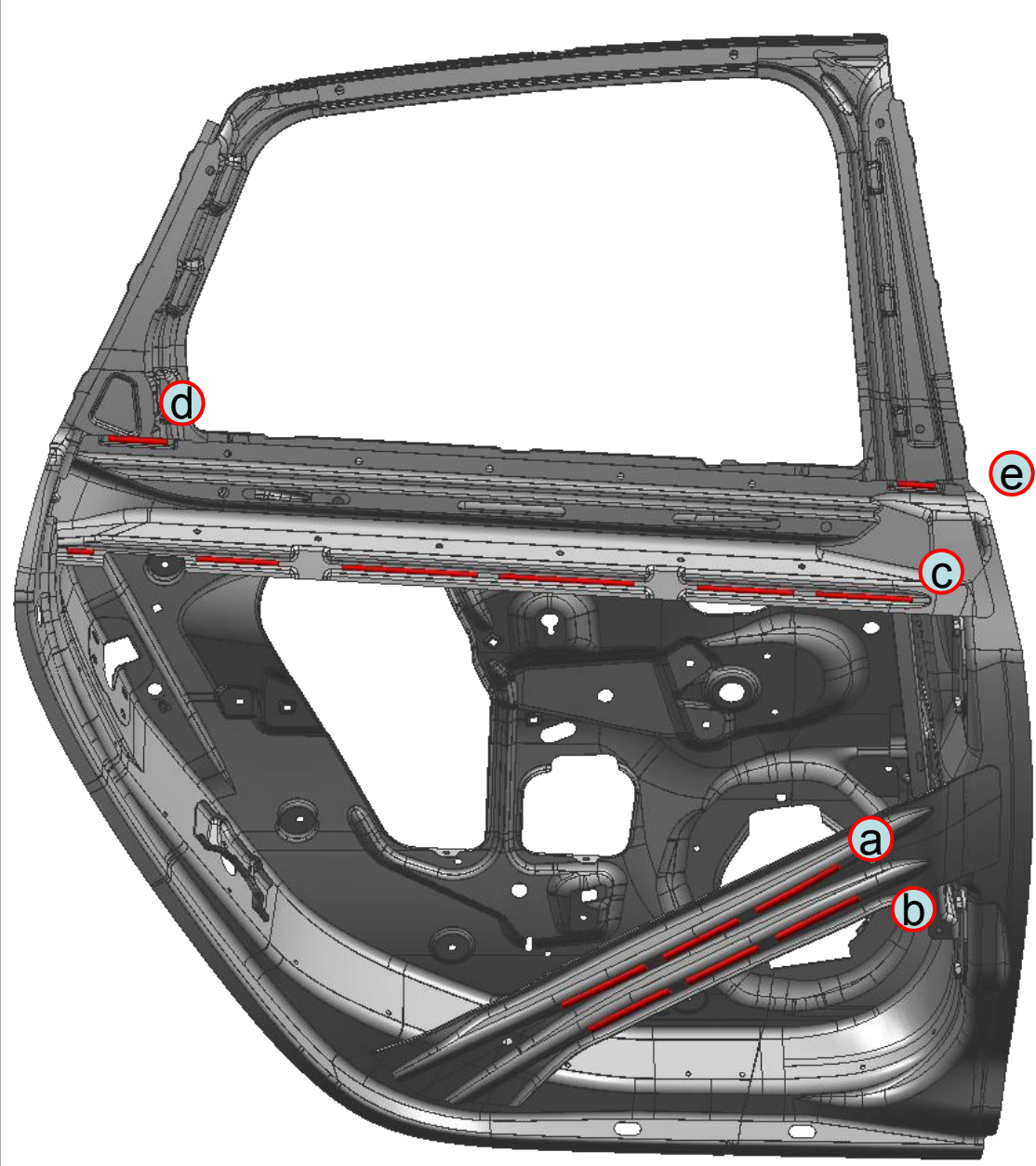
- 折边胶
-  Diameter:2mm
-  Length:2491mm
- REINF-FRT S/D OTR
- PNL BELT外侧



折边胶
a Diameter:2mm
Length: 605mm
REINF-FRT S/D OTR
PNL BELT内侧

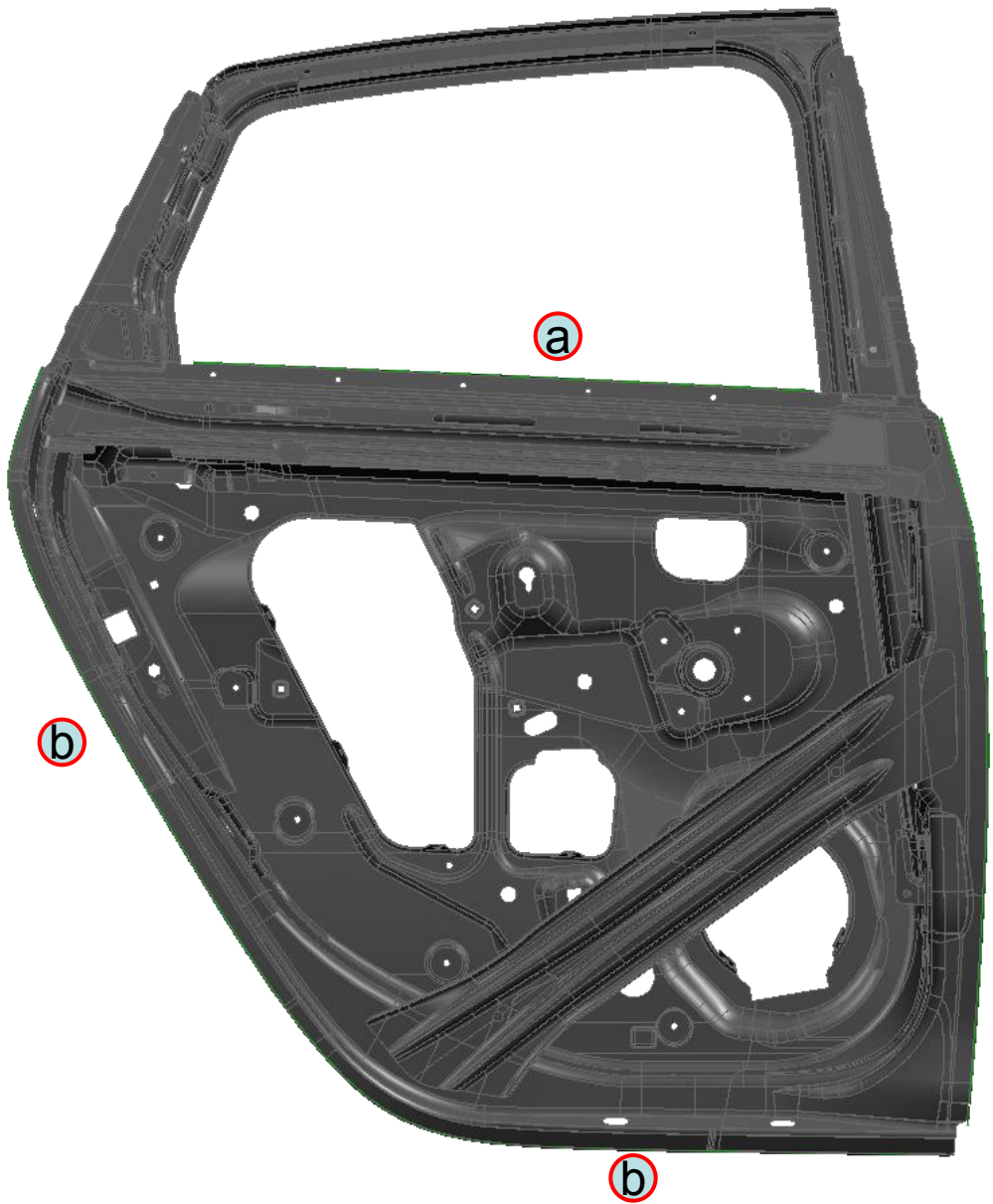
折边胶
b Diameter:2mm
Length:2177mm





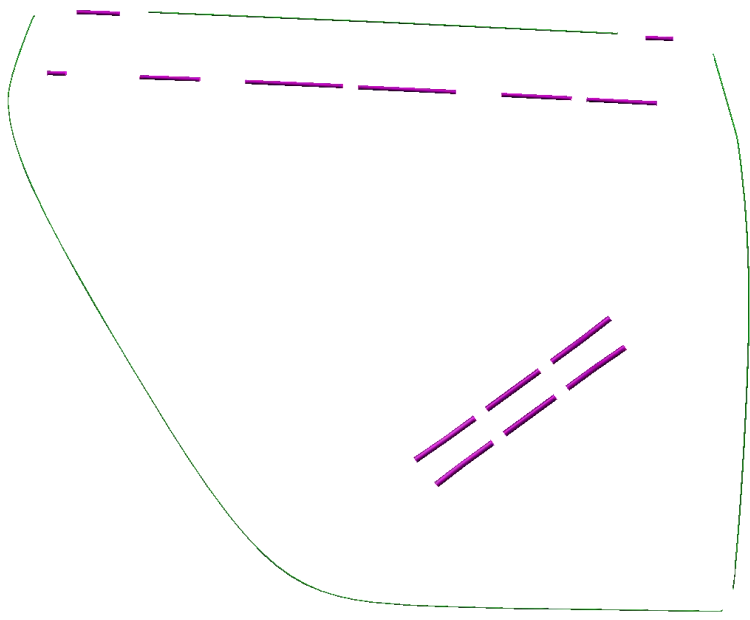
REINF-
FRT S/D
OTR PNL
BELT外侧

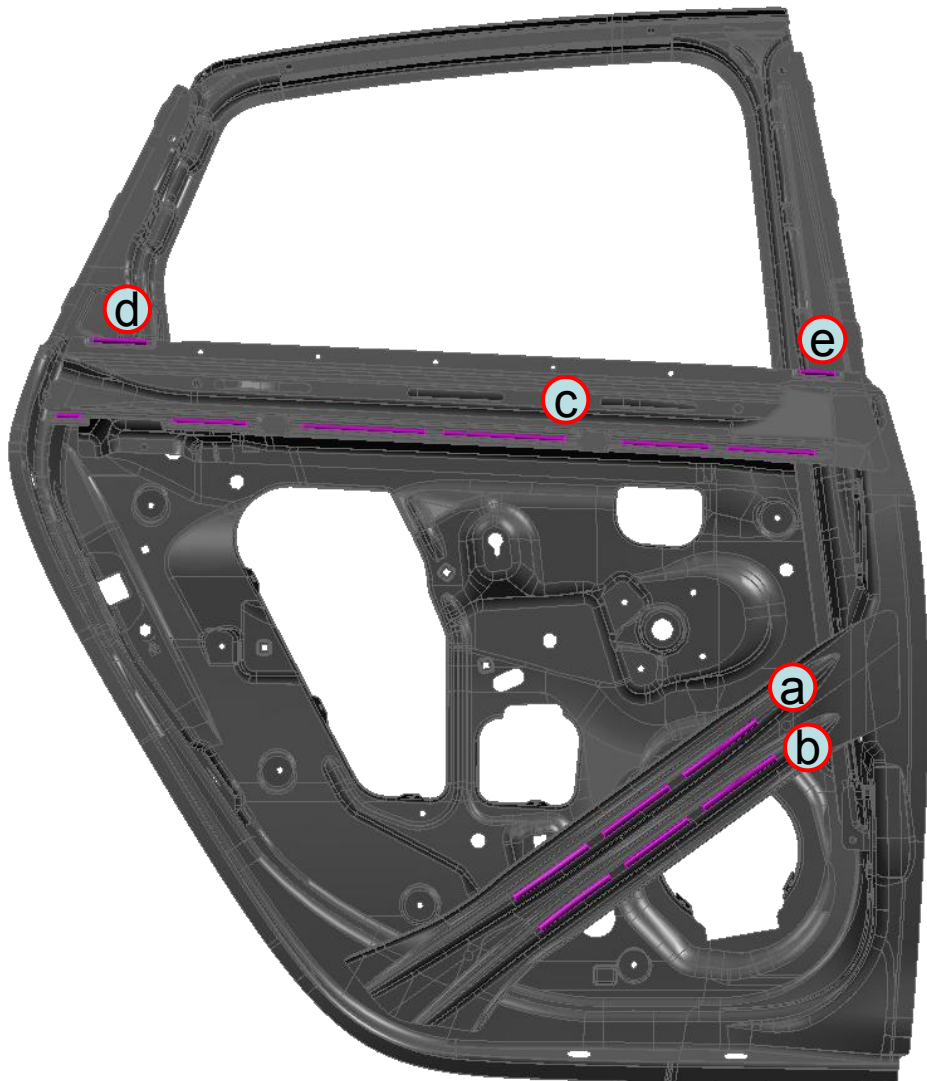
- a** 减震胶
Diameter:8mm
Length:270mm
- b** 减震胶
Diameter:8mm
Length:260mm
- c** 减震胶
Diameter:6mm
Length:532mm
- d** 减震胶
Diameter:6mm
Length:55mm
- e** 减震胶
Diameter:6mm
Length:35mm



折边胶
Diameter:2mm
Length: 605mm
REINF-FRT S/D OTR
PNL BELT内侧

折边胶
Diameter:2mm
Length:2170mm





REINF-
FRT S/D
OTR PNL
BELT 外侧

a

减震胶

Diameter:8mm
Length:270mm

b

减震胶

Diameter:8mm
Length:260mm

c

减震胶

Diameter:6mm
Length:532mm

d

减震胶

Diameter:6mm
Length:55mm

e

减震胶

Diameter:6mm
Length:35mm